

SERIES

Medium-Heavy Duty
Industrial

Load Capacity: 350 to 1000 lbs.

Quality Features

- LARGE DIAMETER SWIVEL RACEWAY.**
 Both upper main load bearing and lower thrust bearing utilize large diameter raceways and 5/16" hardened steel ball bearing for easy maneuvering under heavy loads. Hydraulically staked 5/8" king pin provides years of trouble-free service.
- EXTRA-STRONG CONTINUOUSLY WELDED SIDE LEGS.**
 Yoke legs are formed from 1/4" thick steel and made wider to handle constant abuse from side thrust. Both sides are continuously welded to yoke base for added strength and endurance.
- HEAT-TREATED MOVING PARTS.**
 All moving parts are heated treated to a precise molecular depth and Rockwell hardness using a gas carbonizing process that extends caster life under rugged conditions and shock loads.
- STANDARD SIZES AND DIMENSIONS.**
 Standard top plate and slotted bolt hole pattern conforms to industry standards for quick and simple retrofitting. Replacement parts such as wheels, bearings, bushings and axles are also common sizes and readily available.

SWIVEL



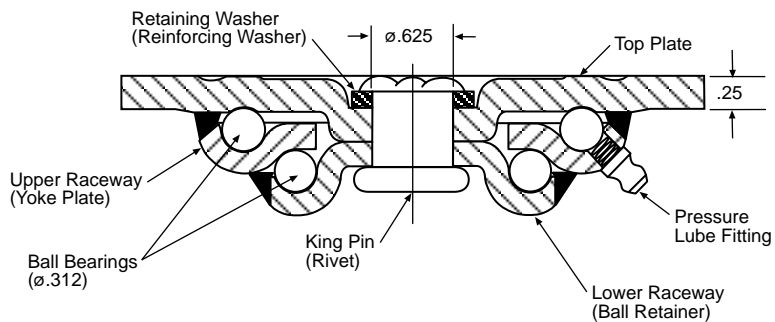
RIGID



Options

- Maintenance Free Swivel Raceways
- Grease Seals for Swivel Raceway
- High-Temperature Wheels
- Conductive or Static-Dissipative Wheels
- Gray, Non-Marking Wheels
- Powder Coated Finishes

DOUBLE BALL BEARING SWIVEL RACEWAY A100 SERIES



Wheel Selection

ADVANCED ELASTOMER

THERMO PLASTIC RUBBER

CAST IRON HUB

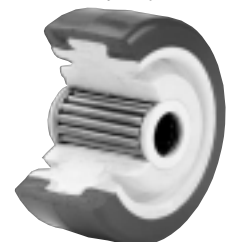
MOLD-ON RUBBER

CAST IRON HUB

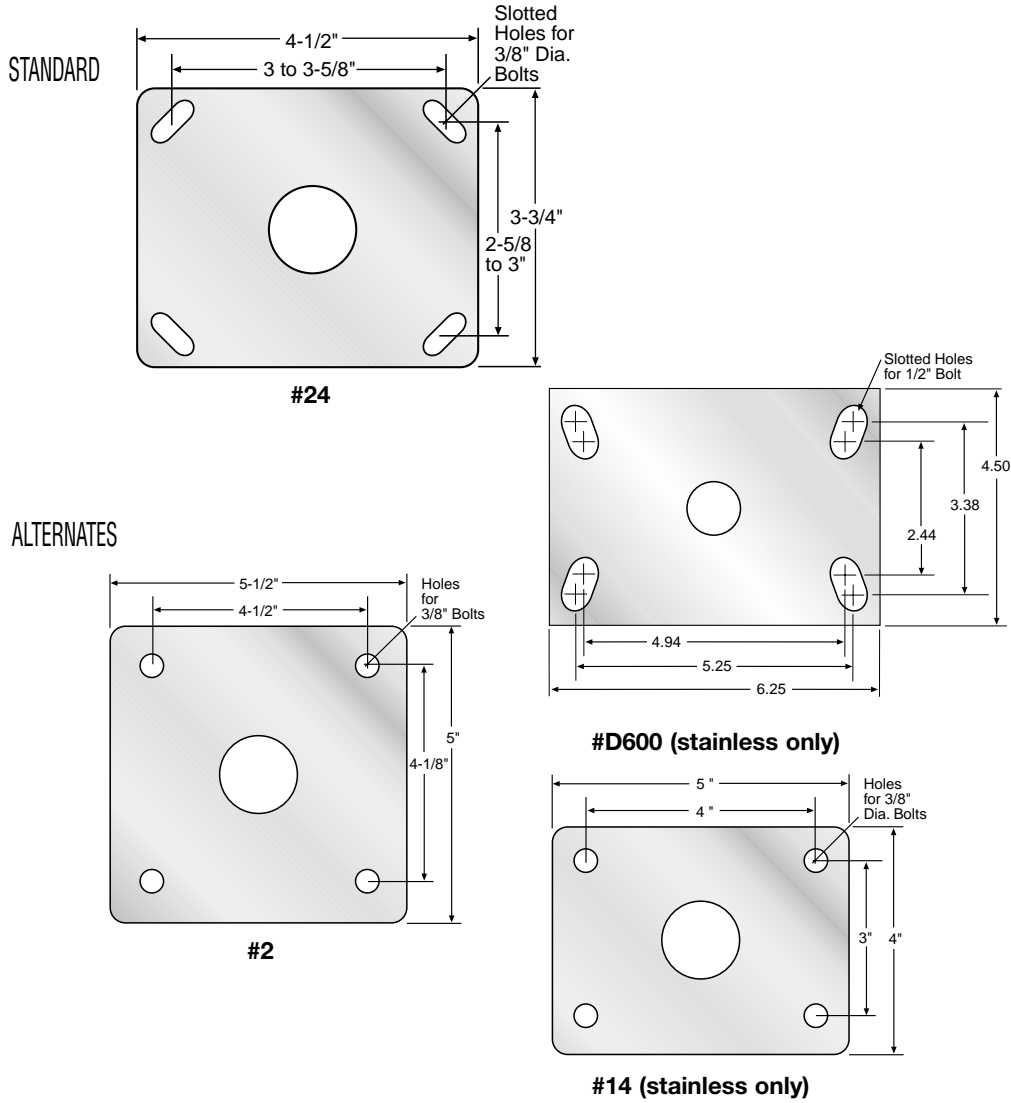
MOLD-ON POLYURETHANE

POLYOLEFIN HUB

POLYURETHANE

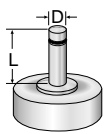


TOP PLATE



STEMS

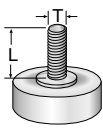
"O" STEM TABLE



Dimension D	Dimension L	Stem Number
*5/8"	2"	OA100-58-2
*3/4"	2-1/2"	OA100-34-212
*7/8"	2-1/2"	OA100-78-212
*1"	2-1/2"	OA100-1-212

Other stem sizes and dimensions available.
*ALL SPECIAL ORDER

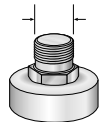
"L" STEM TABLE



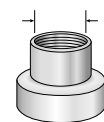
Dimension T	Dimension L	Stem Number
*5/8"-11	2-1/2"	LA100-5811-212
*3/4"-10	2-1/2"	LA100-3410-212
*7/8"-9	2-1/2"	LA100-789-212
*1"-8	2-1/2"	LA100-18-212

Other stem sizes and dimensions available.
*ALL SPECIAL ORDER

"LP" stem



"LPC" stem



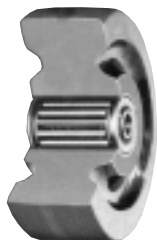
Consult factory for sizes available.

Subtract .25" from overall height for stem casters.

WHITE NYLON



PHENOLIC



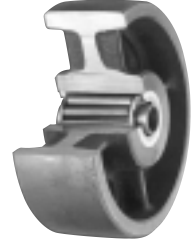
POLYOLEFIN

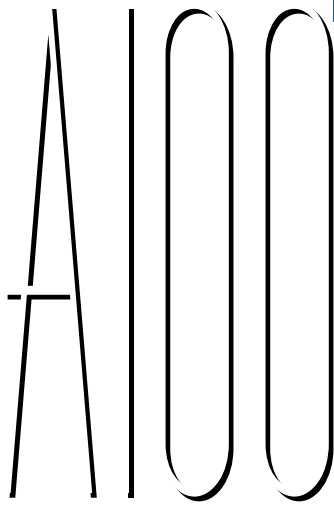


STAINLESS STEEL WHEEL



CAST IRON



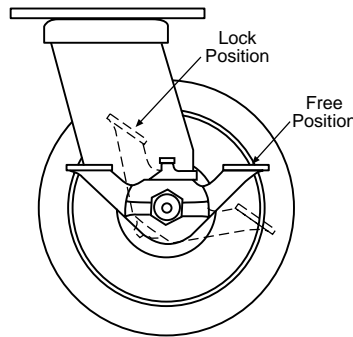


SERIES **continued**

Medium-Heavy Duty
Industrial

BRAKES

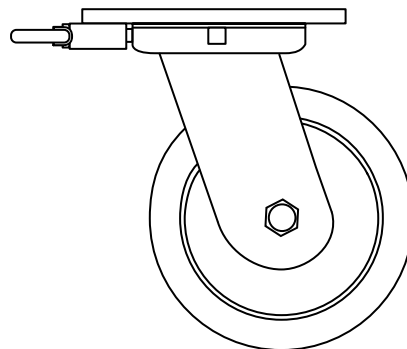
Hub Brake (HB)



Hub Brake

Prevents wheel movement by engaging fork legs against wheel hub when foot pedal is applied in the locked position.

Four Position Swivel Lock (SL)



Four Position Swivel Lock

A horizontal four position swivel lock with a spring loaded plunger to securely hold the swivel in the slotted position desired. Plunger can be put into a neutral position for free swiveling action.

Diameter	Tread Width	Load Capacity	Wheel Material	Bearing	Swivel Part Number	Rigid Part Number	Approx. Weight	Overall Height	Swivel Radius		
4	2	200	EXTRA SOFT THERMO-PLASTIC RUBBER	DELRIN	A104-DPD-M-PO-55	A104-DRPD-M-PO-55	4	5-5/8	3-9/16		
			MOLD-ON RUBBER	ROLLER	A104-TPD-M-PO-55	A104-TRPD-M-PO-55					
		300	THERMO-PLASTIC RUBBER	DELRIN	A104-DPD-M-PO	A104-DRPD-M-PO	4				
				ROLLER	A104-TPD-M-PO	A104-TRPD-M-PO					
		550	POLYOLEFIN	PLAIN	A104-BPO	A104-BRPO	3-3/4				
			WHITE NYLON	PLAIN	A104-BNYLO	A104-BRNYLO					
		580	POLYURETHANE / CAST IRON HUB	ROLLER	A104-TADI-M-CI	A104-TRADI-M-CI	6			5-5/8	3-9/16
		600	POLYURETHANE / POLYOLEFIN HUB	DELRIN	A104-DADI-M-PO	A104-DRADI-M-PO	4-1/4				
		700	POLYOLEFIN	DELRIN	A104-DPO	A104-DRPO	3-3/4				
		750	POLYURETHANE / POLYOLEFIN HUB	ROLLER	A104-TADI-M-PO	A104-TRADI-M-PO	4-1/4				
		1000	ADVANCED ELASTOMER	BALL	A104-XAE	A104-XRAE	6-1/2				
				DELRIN	A104-DAE	A104-DRAE					
				PRECISION BALL	A104-PXAE	A104-PXRAE					
				ROLLER	A104-TAE	A104-TRAE					
CAST IRON	ROLLER			A104-TCI	A104-TRCI	6-1/4					
PHENOLIC	DELRIN	A104-DPR	A104-DRPR	4-1/4							
	ROLLER	A104-TPR	A104-TRPR								

A100 Series continued

Diameter	Tread Width	Load Capacity	Wheel Material	Bearing	Swivel Part Number	Rigid Part Number	Approx. Weight	Overall Height	Swivel Radius
5	2	225	EXTRA SOFT THERMO-PLASTIC RUBBER	DELRIN	A105-DPD-M-PO-55	A105-DRPD-M-PO-55	5	6-1/2	4-1/4
			MOLD-ON RUBBER	ROLLER	A105-TPD-M-PO-55	A105-TRPD-M-PO-55			
		350	THERMO-PLASTIC RUBBER	ROLLER	A105-TD-M-CI	A105-TRD-M-CI	7		
			THERMO-PLASTIC RUBBER	DELRIN	A105-DPD-M-PO	A105-DRPD-M-PO	5		
		650	POLYOLEFIN	ROLLER	A105-TPD-M-PO	A105-TRPD-M-PO			
			WHITE NYLON	PLAIN	A105-BPO	A105-BRPO	4-3/4		
		700	POLYURETHANE / CAST IRON HUB	PLAIN	A105-BNYLO	A105-BRNYLO	7		
		850	POLYURETHANE / CAST IRON HUB	ROLLER	A105-TADI-M-CI	A105-TRADI-M-CI	7		
			POLYURETHANE / POLYOLEFIN HUB	ROLLER	A105-TPO	A105-TRPO	4-3/4		
		1000	POLYURETHANE / POLYOLEFIN HUB	DELRIN	A105-DADI-M-PO	A105-DRADI-M-PO	5-1/4		
			ADVANCED ELASTOMER	BALL	A105-XAE	A105-XRAE	7-1/2		
				DELRIN	A105-DAE	A105-DRAE			
				PRECISION BALL	A105-PXAE	A105-PXRAE			
				ROLLER	A105-TAE	A105-TRAE			
CAST IRON	ROLLER		A105-TCI	A105-TRCI	7-1/4				
PHENOLIC	DELRIN		A105-DPR	A105-DRPR	5-1/4				
	ROLLER		A105-TPR	A105-TRPR					
POLYURETHANE / POLYOLEFIN HUB	ROLLER	A105-TADI-M-PO	A105-TRADI-M-PO						
6	2	250	EXTRA SOFT THERMO-PLASTIC RUBBER	DELRIN	A106-DPD-M-PO-55	A106-DRPD-M-PO-55	5-1/4	7-1/2	5
			MOLD-ON RUBBER	ROLLER	A106-TPD-M-PO-55	A106-TRPD-M-PO-55			
		400	THERMO-PLASTIC RUBBER	ROLLER	A106-TD-M-CI	A106-TRD-M-CI	7-1/5		
			THERMO-PLASTIC RUBBER	DELRIN	A106-DPD-M-PO	A106-DRPD-M-PO	5-1/4		
		410	POLYOLEFIN	ROLLER	A106-TPD-M-PO	A106-TRPD-M-PO			
			MOLD-ON RUBBER	PLAIN	A106-BPO	A106-BRPO	7-1/5		
		700	POLYOLEFIN	ROLLER	A106-TPO	A106-TRPO	5-1/4		
			POLYOLEFIN	PLAIN	A106-BNYLO	A106-BRNYLO			
		840	WHITE NYLON	PLAIN	A106-BNYLO	A106-BRNYLO	7-1/5		
		900	POLYURETHANE / CAST IRON HUB	ROLLER	A106-TADI-M-CI	A106-TRADI-M-CI	7-1/5		
			POLYURETHANE / POLYOLEFIN HUB	ROLLER	A106-TADI-M-PO	A106-TRADI-M-PO	5-1/4		
		1000	POLYURETHANE / POLYOLEFIN HUB	DELRIN	A106-DADI-M-PO	A106-DRADI-M-PO	5-1/4		
			ADVANCED ELASTOMER	BALL	A106-XAE	A106-XRAE	7-3/4		
				DELRIN	A106-DAE	A106-DRAE			
PRECISION BALL	A106-PXAE			A106-PXRAE					
ROLLER	A106-TAE			A106-TRAE					
CAST IRON	ROLLER		A106-TCI	A106-TRCI	10-2/5				
PHENOLIC	DELRIN		A106-DPR	A106-DRPR	6				
	ROLLER		A106-TPR	A106-TRPR					
POLYURETHANE / CAST IRON HUB	ROLLER	A106-TADI-M-CI	A106-TRADI-M-CI	7-1/5					
POLYURETHANE / POLYOLEFIN HUB	ROLLER	A106-TADI-M-PO	A106-TRADI-M-PO	5-1/4					
8	2	300	EXTRA SOFT THERMO-PLASTIC RUBBER	DELRIN	A108-DPD-M-PO-55	A108-DRPD-M-PO-55	7	9-1/2	6-1/8
			MOLD-ON RUBBER	ROLLER	A108-TPD-M-PO-55	A108-TRPD-M-PO-55			
		450	THERMO-PLASTIC RUBBER	ROLLER	A108-TD-M-CI	A108-TRD-M-CI	11		
			THERMO-PLASTIC RUBBER	DELRIN	A108-DPD-M-PO	A108-DRPD-M-PO	7		
		500	POLYOLEFIN	ROLLER	A108-TPD-M-PO	A108-TRPD-M-PO			
			MOLD-ON RUBBER	PLAIN	A108-BPO	A108-BRPO	11		
		900	POLYOLEFIN	ROLLER	A108-TPO	A108-TRPO	7		
			POLYOLEFIN	PLAIN	A108-BNYLO	A108-BRNYLO			
		940	WHITE NYLON	PLAIN	A108-BNYLO	A108-BRNYLO	7		
			POLYURETHANE / CAST IRON HUB	ROLLER	A108-TADI-M-CI	A108-TRADI-M-CI	8		
		1000	POLYURETHANE / POLYOLEFIN HUB	ROLLER	A108-TADI-M-PO	A108-TRADI-M-PO			
			1000	ADVANCED ELASTOMER	BALL	A108-XAE	A108-XRAE	9-1/2	
		DELRIN			A108-DAE	A108-DRAE			
		PRECISION BALL			A108-PXAE	A108-PXRAE			
ROLLER	A108-TAE	A108-TRAE							
CAST IRON	ROLLER	A108-TCI			A108-TRCI	13-1/2			
POLYURETHANE / CAST IRON HUB	ROLLER	A108-TADI-M-CI			A108-TRADI-M-CI	11			
POLYURETHANE / POLYOLEFIN HUB	ROLLER	A108-TADI-M-PO	A108-TRADI-M-PO	7					